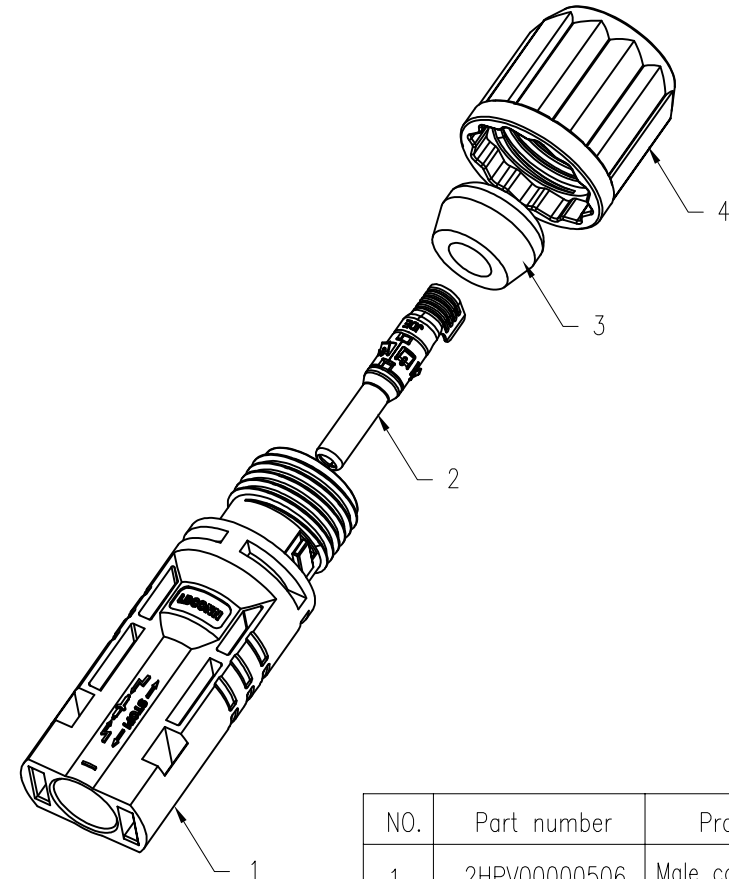
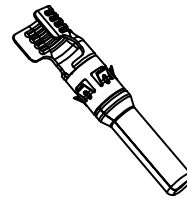
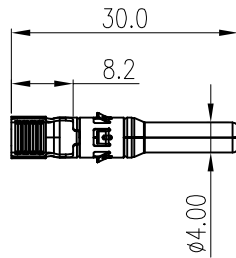
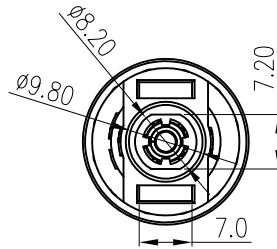
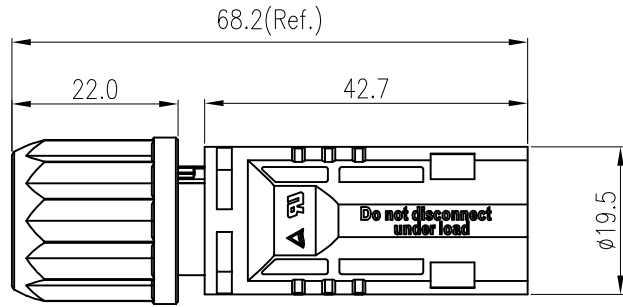


REV	ECN NO	DESCRIPTION	DATE	NAME
A	—	NEW		



Specifications:

Contact size	4.0mm ² (12AWG)	6.0mm ² (10AWG)
Rated Current (AT 85°C AMBIENT)	35A	50A
Rated voltage	1500V	
Contact resistance	≤ 0.4 mΩ	
Degree of protection	IP68 (1 m / 1 h)	
Socket contact material	Copper, TIN Plated	
Insulating material	PBT+PC	
External cable diameter	φ4.7~φ6.4	
Ambient temperature (operation)	-40 °C ~ 85 °C	

Notes:

1. Contact: copper alloy, Bright Tin
2. Tightening torque nut: 2.6~2.9 N.m
3. Salt spray test: 48H
4. All materials meet ROHS

NO.	Part number	Product name	Q'TY
1	2HPV00000506	Male connector body	1
2	2MPV0001001	Male connector	1
3	2HPV00000501	Seals	1
4	2HPV00000512	Seals Nut	1

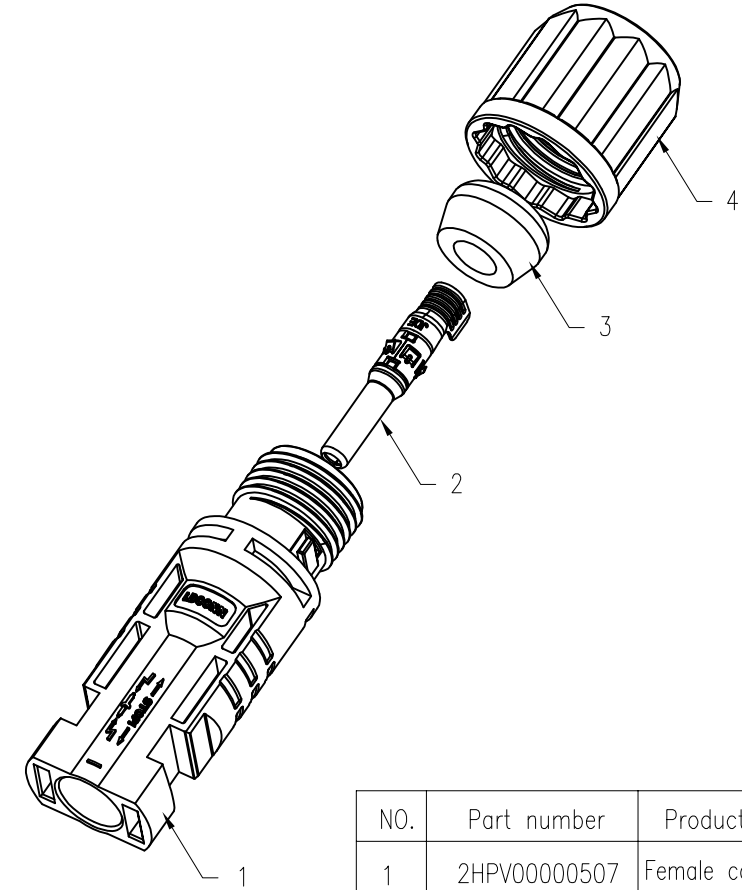
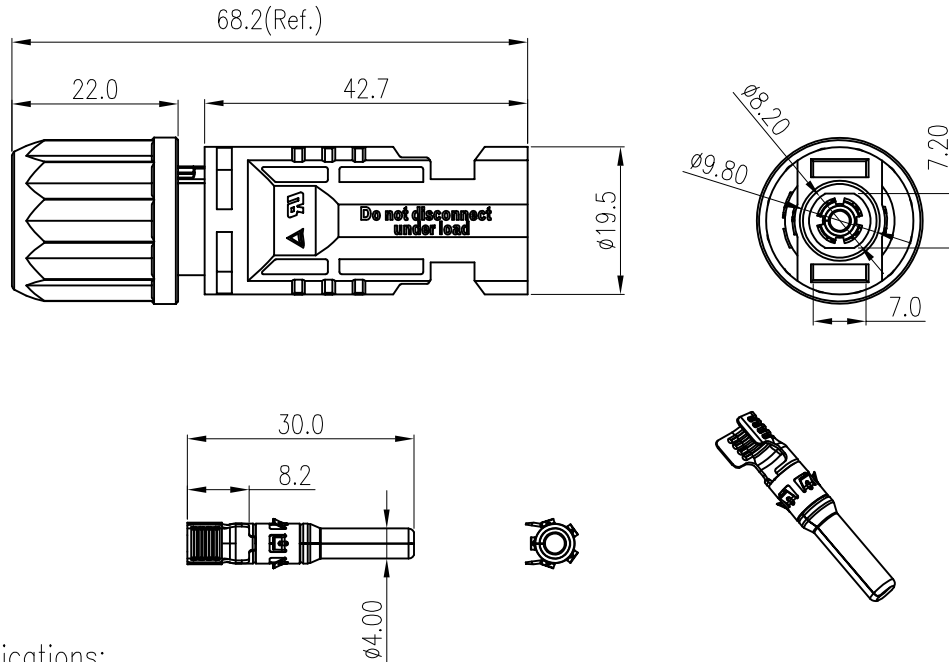
LDCONN 连大 东莞连大精密制品有限公司
DongGuan LianDa Precision Products Co., LTD

线端公接头

STANDARD TOLERANCE (EXCEPT SPECIFIED)	
LINER	ANGLES
.0 ±0.10	0.° ±3°
.00 ±0.05	.0° ±2°
.000 ±0.03	.00° ±1°

TITLE		DRAWN BY	FRANK	2021-09-05
PART NO.	LPVM01A0003	CHECKED BY		
DRAWING NO.		APPROVED BY		
SCALE	1:1	UNIT	mm	PAGE 1/1
				SIZE A4

REV	ECN NO	DESCRIPTION	DATE	NAME
A	—	NEW		



Specifications:

Contact size	4.0mm ² (12AWG)	6.0mm ² (10AWG)
Rated Current (AT 85°C AMBIENT)	35A	50A
Rated voltage	1500V	
Contact resistance	≤ 0.4 mΩ	
Degree of protection	IP68 (1 m / 1 h)	
Socket contact material	Copper, TIN Plated	
Insulating material	PBT+PC	
External cable diameter	φ4.7~φ6.4	
Ambient temperature (operation)	-40 °C ~ 85 °C	

Notes:

1. Contact: copper alloy, Bright Tin
2. Tightening torque nut: 2.6~2.9 N.m
3. Salt spray test: 48H
4. All materials meet ROHS

NO.	Part number	Product name	Q'TY
1	2HPV00000507	Female connector body	1
2	2MPV0001001	Female connector	1
3	2HPV00000501	Seals	1
4	2HPV00000512	Seals Nut	1

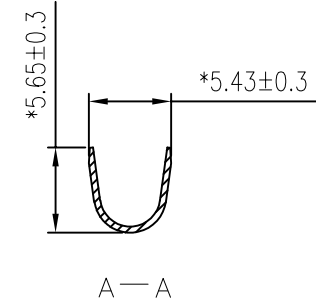
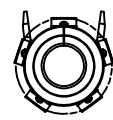
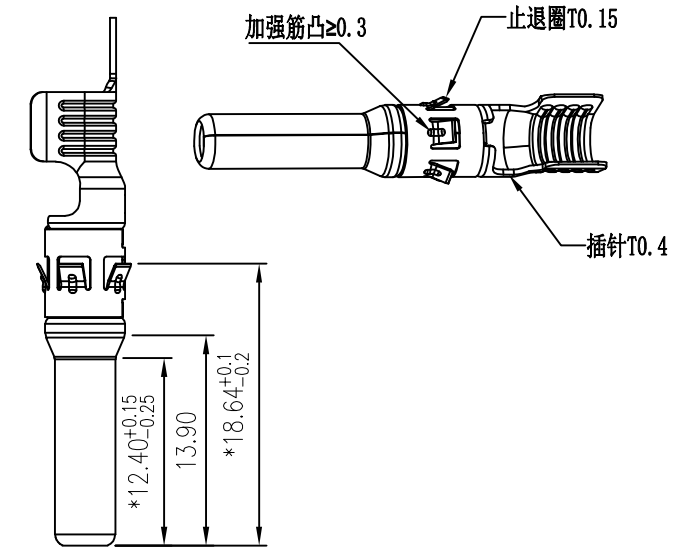
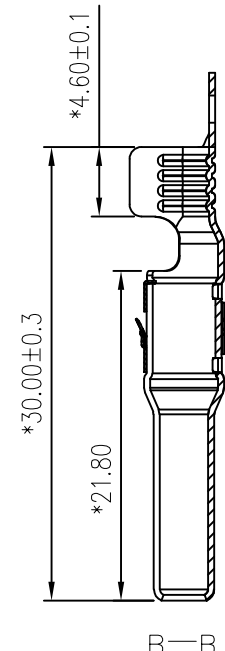
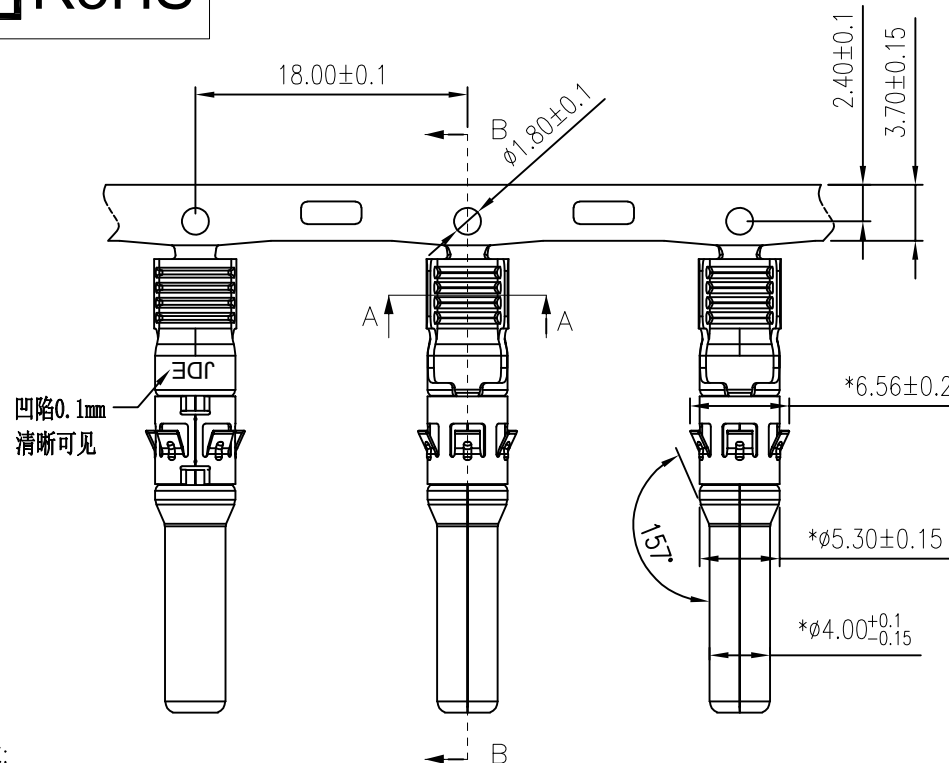
LDCONN 连大 东莞连大精密制品有限公司
DongGuan LianDa Precision Products Co., LTD

线端公接头(开口)

STANDARD TOLERANCE (EXCEPT SPECIFIED)	
LINER	ANGLES
.0 ±0.10	0.° ±3°
.00 ±0.05	.0° ±2°
.000 ±0.03	.00° ±1°

TITLE		DRAWN BY	FRANK
PART NO.	LPVM01A0004	CHECKED BY	
DRAWING NO.		APPROVED BY	
SCALE	1:1	UNIT	mm
PAGE	1/1	SIZE	A4

REV	ECN NO	DESCRIPTION	DATE	NAME
A	—	NEW		



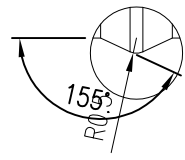
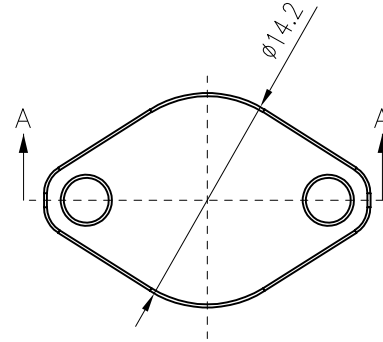
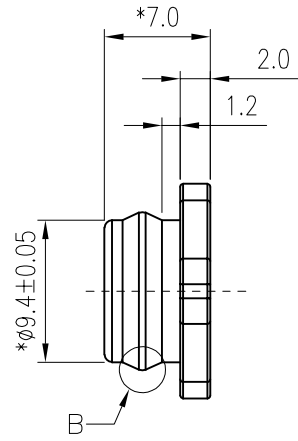
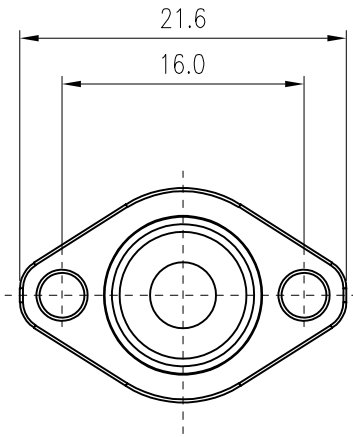
技术要求:

1. 使用材料: 插针: C1100, 料厚: 0.4 mm,
止退圈: SUS301-H, 料厚: 0.15 mm
2. 表面外理:
2-1 插针: 热浸镀亮锡5-9um.
3. 性能要求
3-1 直径5.30mm,直径4.0mm,增加通止规检测.
4. 外观要求
4-1 不可有脏污; 明显刮伤; 龟裂等现象.
4-2 毛边及翘曲变形须小于0.05mm.
4-3 电镀表面无异色, 针孔等电镀不良现象.
4-4 其它外观要求参照接线盒技术规范检验.
5. 尺寸要求
5-1 未标注之尺寸参照公差要求.
5-2 以中心线为基准标注尺寸, 对中心线偏移须在0.05mm以内.
5-3 图中标示之"*"尺寸须重点管控及检验.
6. 不锈钢清洗后在冲压成型.
7. 包装单位:
2000PCS一卷
8. 所有制程需符合ROHS标准.

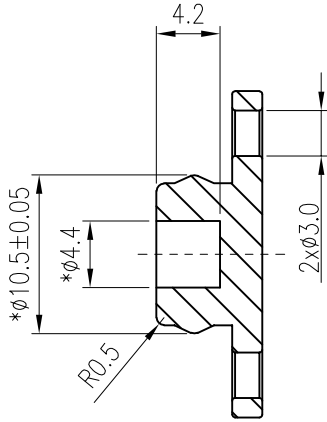
LD CONN 东莞连大精密制品有限公司
DongGuan LianDa Precision Products Co., LTD

模具编号	/	TITLE	公针	DRAWN BY	
模穴数	/	PART NO.	2MPV0001001	CHECKED BY	
STANDARD TOLERANCE (EXCEPT SPECIFIED)		DRAWING NO.		APPROVED BY	
LINER	ANGLES	SCALE	1:1	UNIT	mm
.0 ±0.10	0° ±3°			PAGE	1/1
.00 ±0.05	.0° ±2°			SIZE	A4
.000 ±0.03	.00° ±1°				

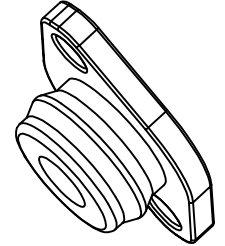
REV	ECN NO	DESCRIPTION	DATE	NAME
A	—	NEW		



Detail view B
2:1



Section A-A



未注尺寸以3D为准

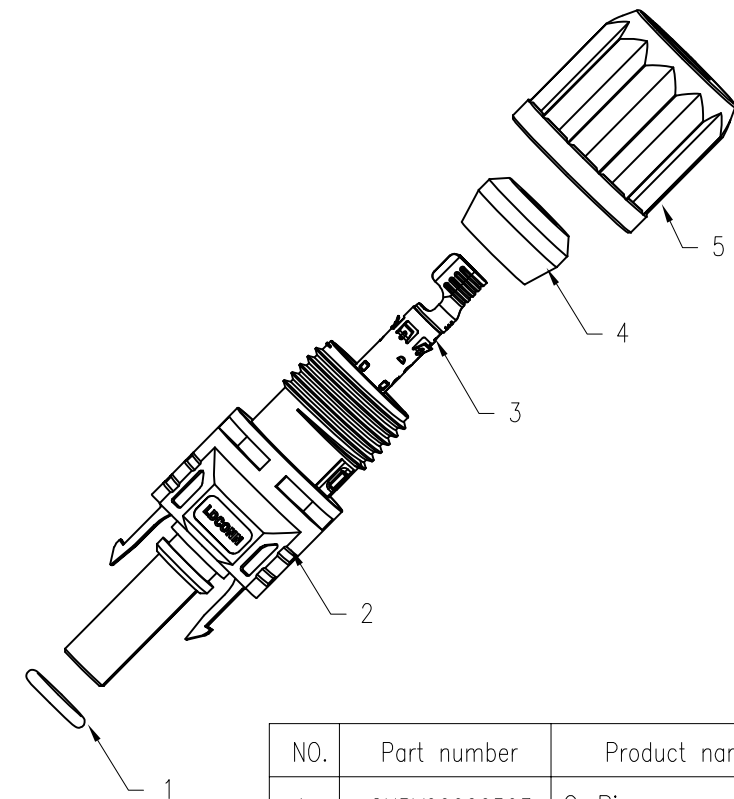
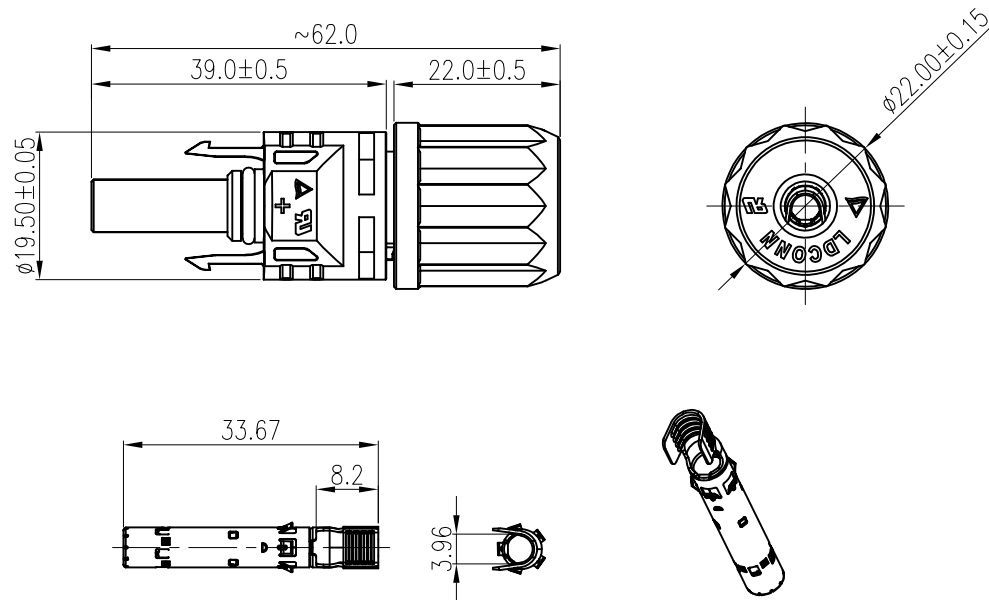
Notes:

1. "*" Important Dimension
2. Material: Silicone 94V-0
3. Color: Black
4. Material hardness: 70°

LDCONN 东莞连大精密制品有限公司
 连大 DongGuan LianDa Precision Products Co., LTD

模具编号	/	TITLE	公防尘帽	DRAWN BY	LJ	2021-08-31
模穴数	/	PART NO.	2HPV00000504	CHECKED BY		
STANDARD TOLERANCE (EXCEPT SPECIFIED)		DRAWING NO.		APPROVED BY		
LINER	ANGLES	SCALE	1:1	UNIT	mm	PAGE
.0 ±0.10	0.° ±3°					1/1
.00 ±0.05	.0° ±2°					SIZE
.000 ±0.03	.00° ±1°					A4

REV	ECN NO	DESCRIPTION	DATE	NAME
A	—	NEW		



Specifications:

Contact size	2.5mm ² (14AWG)	4.0mm ² (12AWG)	6.0mm ² (10AWG)
Rated Current (AT 85C*AMBIENT)	30A	35A	50A
Rated voltage	1500V		
Contact resistance	≤ 0.4 mΩ		
Degree of protection	IP68 (1 m / 1 h)		
Socket contact material	Copper, TIN Plated		
Insulating material	PBT+PC		
External cable diameter	ø4.7~ø6.4		
Ambient temperature (operation)	-40 °C ~ 85 °C		

Notes:

1. Contact: copper alloy, Bright Tin
2. Tightening torque nut: 2.6~2.9 N.m
3. Salt spray test: 48H
4. All materials meet ROHS

NO.	Part number	Product name	Q'TY
1	2HPV00000503	O-Ring	1
2	2HPV00000510	Female connector body	1
3	MPV0001002	Female connector	1
4	2HPV00000501	Seals	1
5	2HPV00000512	Seals Nut	1

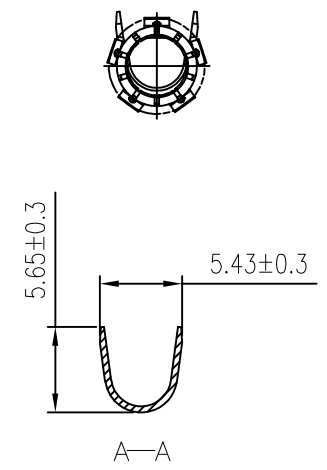
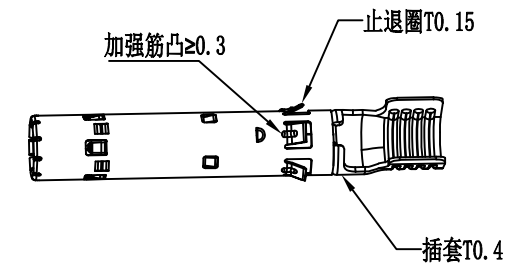
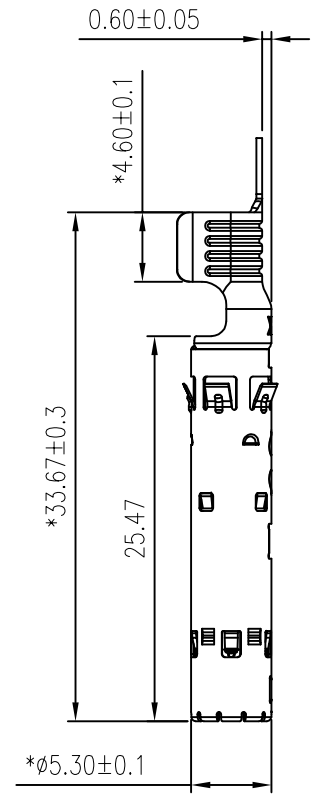
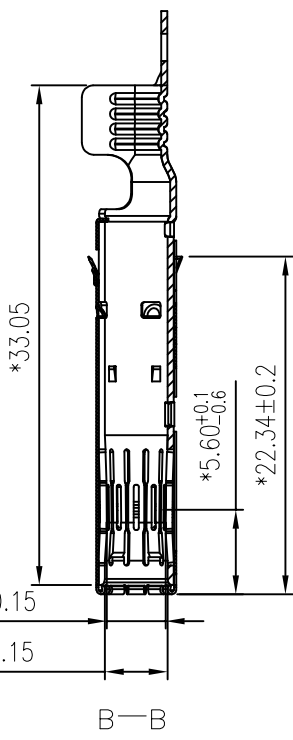
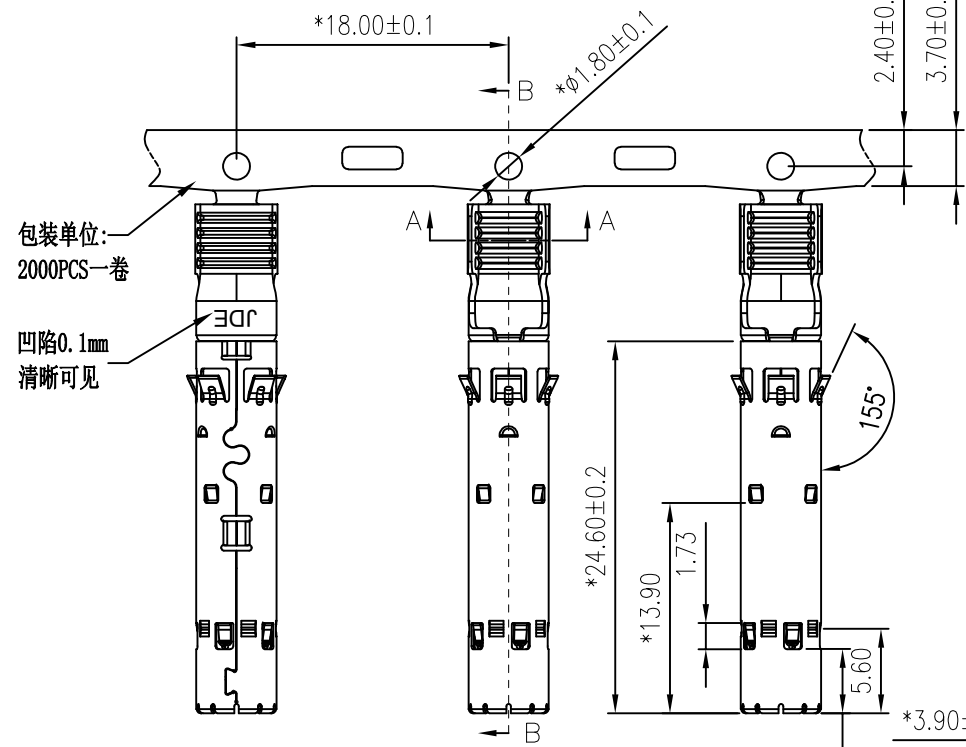
LDCONN 连大 **东莞连大精密制品有限公司**
DongGuan LianDa Precision Products Co., LTD

线端母接头

STANDARD TOLERANCE (EXCEPT SPECIFIED)	
LINER	ANGLES
.0 ±0.10	0.° ±3°
.00 ±0.05	.0° ±2°
.000 ±0.03	.00° ±1°

TITLE		DRAWN BY	FRANK	2021-09-05
PART NO.	LPVF01A0002	CHECKED BY		
DRAWING NO.		APPROVED BY		
SCALE	1:1	UNIT	mm	PAGE 1/1
				SIZE A4

REV	ECN NO	DESCRIPTION	DATE	NAME
A		NEW		



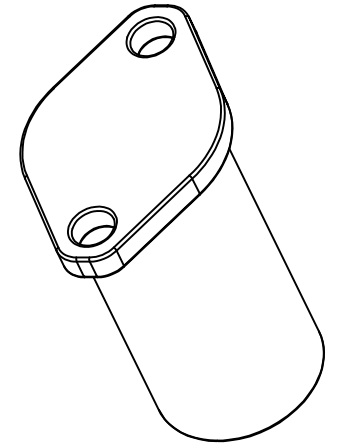
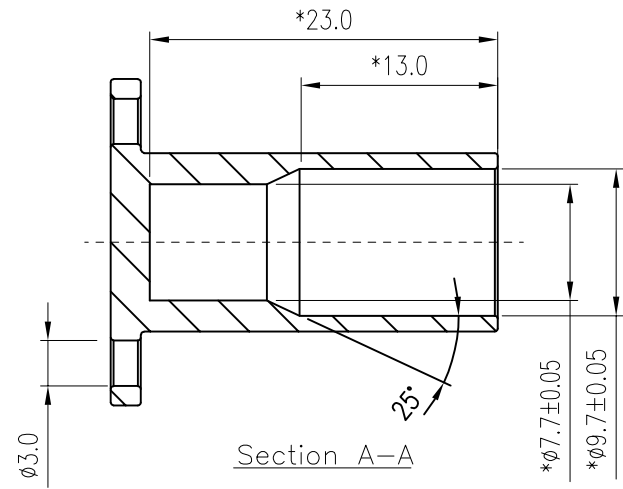
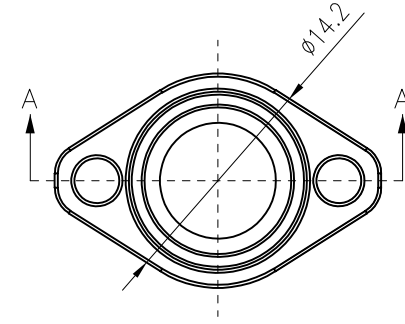
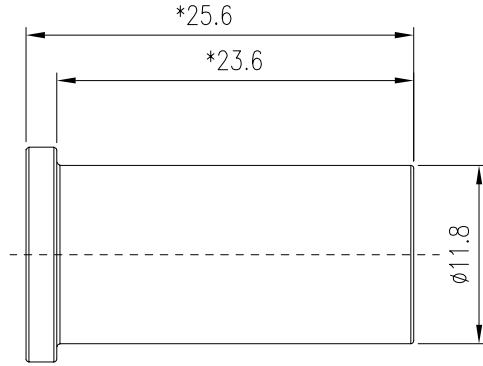
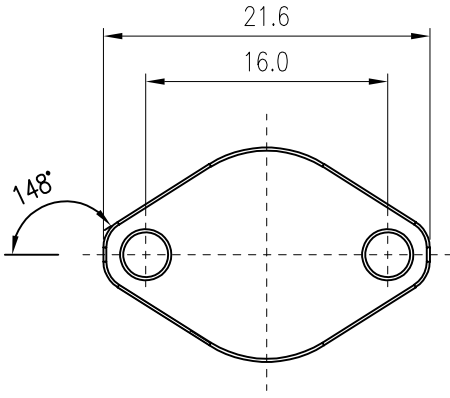
- 技术要求:
1. 使用材料: 插针: C1100, 料厚: 0.4 mm, 止退圈: SUS301-H, 料厚: 0.15 mm
 2. 表面外理: 2-1 插针: 热浸镀亮锡5-9 μ m.
 3. 性能要求 3-1 直径5.30mm,直径4.0mm,增加通止规检测.
 4. 外观要求 4-1 不可有脏污; 明显刮伤; 龟裂等现象. 4-2 毛边及翘曲变形须小于0.05mm. 4-3 电镀表面无异色, 针孔等电镀不良现象. 4-4 其它外观要求参照接线盒技术规范检验.
 5. 尺寸要求 5-1 未标注之尺寸参照公差要求. 5-2 以中心线为基准标注尺寸, 对中心线偏移须在0.05mm以内. 5-3 图中标示之 "*"尺寸须重点管控及检验.
 6. 包装单位: 2000PCS一卷
 7. 所有制程需符合ROHS标准.

LDCONN 东莞连大精密制品有限公司
 连大 DongGuan LianDa Precision Products Co., LTD

模具编号	/
模穴数	/
STANDARD TOLERANCE (EXCEPT SPECIFIED)	
LINER	ANGLES
.0 ± 0.10	0.° $\pm 3^\circ$
.00 ± 0.05	.0° $\pm 2^\circ$
.000 ± 0.03	.00° $\pm 1^\circ$

TITLE	母针	DRAWN BY	
PART NO.	2MPV0001002	CHECKED BY	
DRAWING NO.		APPROVED BY	
SCALE	1:1	UNIT	mm
PAGE	1/1	SIZE	A4

REV	ECN NO	DESCRIPTION	DATE	NAME
A	—	NEW		



未注尺寸以3D为准

- Notes:
1. "*" Important Dimension
 2. Material: Silicone 94V-0
 3. Color: Black
 4. Material hardness: 70°

LDCONN 东莞连大精密制品有限公司
 连大 DongGuan LianDa Precision Products Co., LTD

模具编号	/
模穴数	/
STANDARD TOLERANCE (EXCEPT SPECIFIED)	
LINER	ANGLES
.0 ±0.10	0.° ±3°
.00 ±0.05	.0° ±2°
.000 ±0.03	.00° ±1°

TITLE	母防尘帽	DRAWN BY	LJ	2021-08-31
PART NO.	2HPV00000505	CHECKED BY		
DRAWING NO.	—	APPROVED BY		
SCALE	1:1	UNIT	mm	PAGE 1/1
				SIZE A4