

HSE ROHS

REV	ECN NO	DESCRIPTION	DATE	NAME
A		NEW		

Specifications

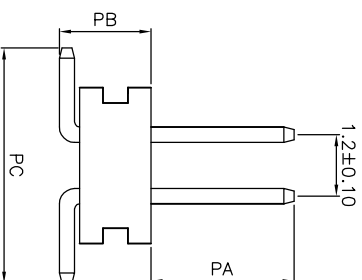
1. Current Rating: 1Amps
2. Insulation Resistance: 1000 MΩ min.
3. Dielectric withstanding Voltage: AC 500V
4. Contact Resistance: 30 mΩ max.
5. Operating Temperature: -25°C to +85°C
6. Contact Material: Brass
7. Insulation Material: As follows, UL94V-0, Black
8. Plated: Au Over Ni

Ordering Information

L200 XX -XX 2 X XX X



Insulation Height*Width (H*W)
 1-50P
 Option:
 10=1.0*3.0
 15=1.5*2.3
 15=1.5*3.2



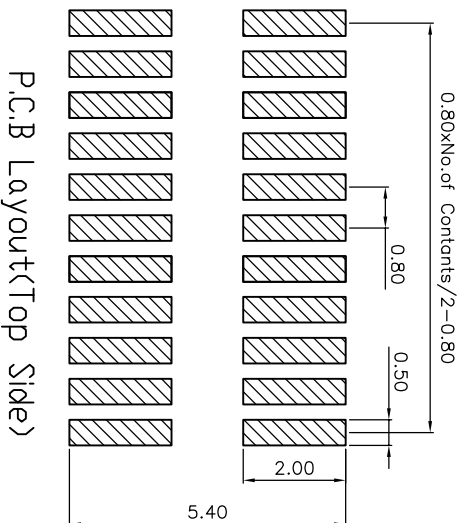
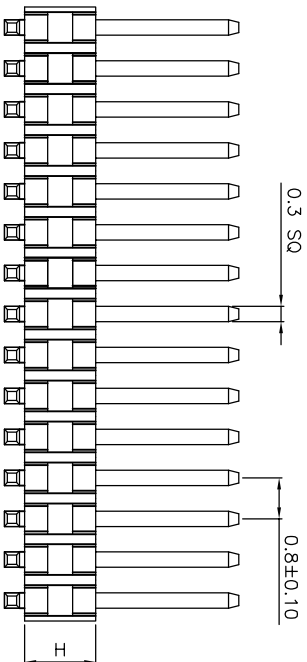
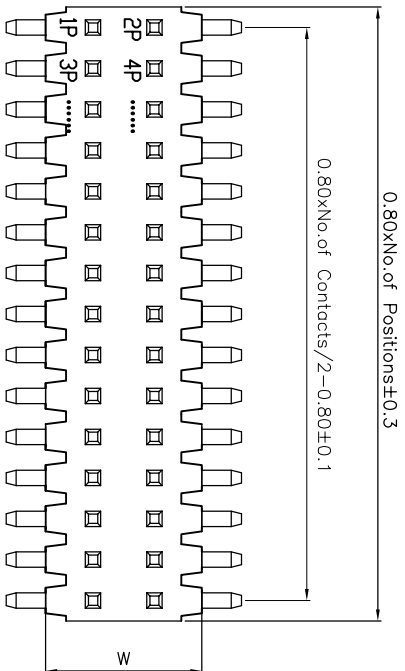
Dimension antitheses list

ITEM	PC	PB	PA	H	Pin Length
Standard	4.60	1.80	2.80	1.38	6.0
Alternate					

LDCONN 东莞连大精密制品有限公司

Dongguan LianDa Precision Products Co., LTD

STANDARD TOLERANCE (EXCEPT SPECIFIED)		
LINER	ANGLES	
.0 ±0.30	0.° ±3°	
.00 ±0.20	.0° ±2°	
.000 ±0.10	.00° ±1°	
TITLE	1.0*1.2 Pin Header Dual Row SMT	DRAWN BY
PART NO	L20014-XX2XXXX	CHECKED BY
DRAWING NO		APPROVED BY
SCALE	1:1	UNITE
	mm	PAGE
		1/1
		SIZE
		A4



P.C.B Layout(Top Side)